

FILTER REGULATORS

Stainless steel

TCR 6X FR I&II SERIES



STANDARD SERIES FROM 1/4" TO 3/4", 60 BAR

OIL & GAS



Filter/regulators made of stainless steel 316L, designed and manufactured for heavy-duty applications. Control system with convoluted diaphragm for the best stability and precision. Balanced poppet-valve (shutter), to keep the outlet pressure almost constant and independent from inlet pressure fluctuations. Self-relieving execution for exhausting over-pressure, just for compressed air application. Outlet pressure range till to 50 bar (725 psi), adjustable by screw with hexagonal head. Connections for outlet pressure gauge on both sides. Special version (without self relieving for gases and water) on request.

APPLICATIONS:

- Pharmaceutical industry;
- Chemical industry;
- Oil & gas and Off Shore applications
- Food industry

FEATURES:

- Particular attention to the low surface roughness, to grant high cleaning standard;
- Compatible for use in aggressive environments;
- Suitable for extreme temperatures (-60°C), critical environments, hazardous applications;
- Suitable to be cleaned and sanitized by the most common processes;

MATERIALS

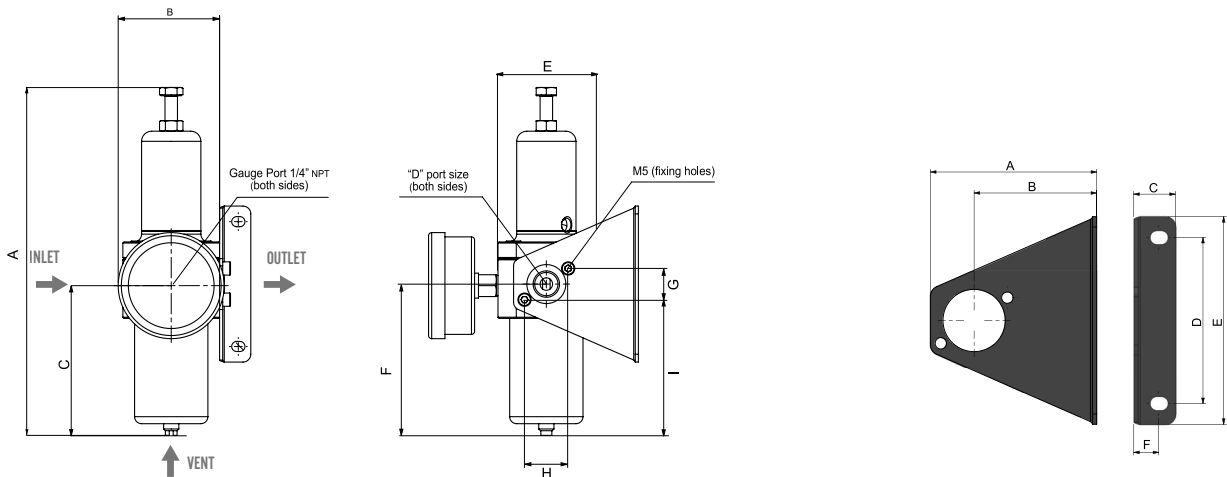
Body, bonnet	316L stainless steel
Bowl	316L stainless steel
Seals	HNBR – EPDM – FKM - Silicone
Diaphragm	HNBR – EPDM – FKM - Silicone
Internal parts	316L stainless steel
Shutter	PU - HNBR – EPDM – FKM - Silicone
Filter element	Stainless steel 316L (5-25-50 μ)

TECHNICAL DATA

	1/4" - 3/8" SERIES I	3/8" - 1/2" - 3/4" L SERIES II
Port thread	1/4" - 3/8" BSPP F; 1/4" - 3/8" NPT F	3/8" - 1/2" - 3/4" BSPP F; 3/8" - 1/2" - 3/4" NPT F
P. max Inlet	16 Bar (with automatic drain) 60 Bar – 870 psi (50 bar Temp>80°C) Optional version TCR7 70 BAR	
Range outlet pressure	0.3-3 / 0.5-8 / 0.5-17.2 / 2,5-25 / 5-50 Bar / 4.4-44 / 7.2-116 / 7.2-250 / 36-362 / 72.5-725 Psi	
Gauge connections	1/4" BSPP F - 1/4" BSPP F	
Drain	Manual - Automatic	
Self-relieving port	1/8" BSPP F	
Flow rate *)	250 Nm ³ /h – 4160 dm ³ /min	310 Nm ³ /h – 5160 dm ³ /min
Kv	Kv = 1.69 Nm ³ /h (EN 60534)	Kv = 2.12 Nm ³ /h (EN 60534)
Weight	1.6kg/3lb	2.3kg/5lb
Working temp.	-25°C to +110°C (HNBR) / -50°C to +130°C (EPDM) -60°C to +230°C (Silicone) / -20°C +200°C FKM (optional)	
Conformity to Directives	2014/34/EU ATEX - ASTM A182 Nace MR0.175 - 2014/68/EU PED	

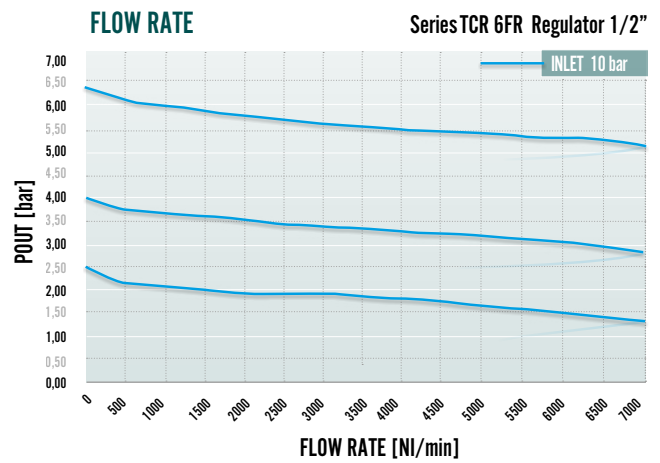
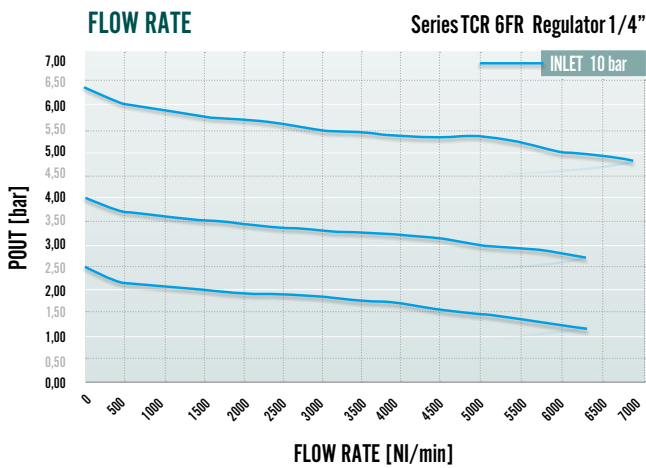
*) P_{IN} 10bar, P_{OUT} 6.3bar, ΔP 1bar

Stainless steel



SIZE	A	B	C	D	E	F	G	H	I
3/4"-3/8"	234	60	112	1/4"	60	112	22	28	102
1/2"-3/4"	237	68	114	1/2"-3/4"	68	114	22	32	103
3/4"L	250	68	118	1/2"-3/4"	68	118	22	32	103

SIZE	A	B	C	D	E	F
1/4"	80	59	20	80	100	12
1/2"-3/4"	80	59	20	80	100	12



OPTIONALS :

- Inlet pressure : max 70 bar • Inlet pressure: max. 100 bar • Bracket • Gauge • Flanges (EN1092-1/ANSI) • Without relieving • Automatic drain (Pin max. 16 bar) • Oring Kalrez® • Connection for exhausting gas on bonnet